



E-Z 50

Melter/Applicator

P/N 26211 Revision H

Fill in appropriate fields that apply to this machine

Machine S/N: _____

1st Hose S/N: _____

2nd Hose S/N: _____

1st Pump S/N: _____

2nd Pump S/N: _____

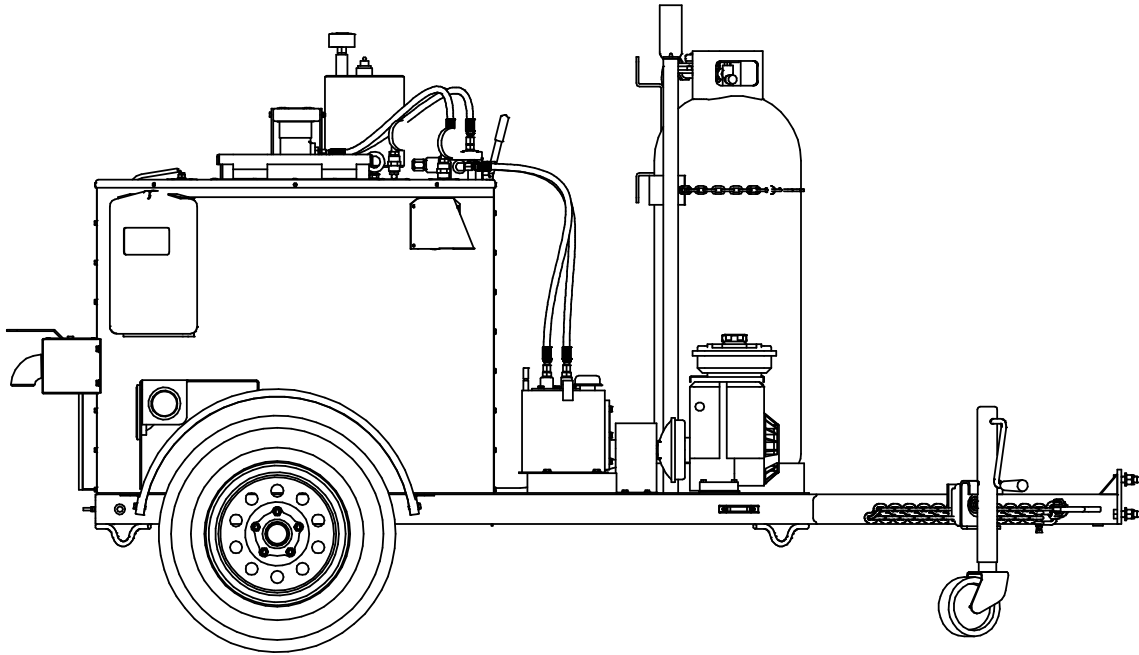
Engine S/N: _____

Compressor S/N: _____

Gear Box S/N (Patcher): _____

Blower S/N (Magnum): _____

Rev.	Description	Date
C	Fixed Error on Page 8-5, Temp controller & control box part numbers	4/7/17
D	Updated Prop. 65 information. Changed Warranty Information. Added sections 6.13 and 6.14. Added common maintenance parts. Added parts 40361, and 40812 to fig. 8.1. Added section 5.7. Added List of Tables, and List of Figures sections. Updated Ch. 1. Added Ch. 9.	11/20/18
E	Engine change due to supplier discontinued engine. Updated Table 8-1 with new engine part number (PN 40880N).	2/1/2019
F	Added Towing with Burner On Warning Section 2.5	5/15/19
G	Added details outlining how to engage the agitator / mixer: Table 5-2, Step 11. Added "agitator" wherever "mixer" occurred.	11/11/19
H	Added more detailed info about lighting pilot to Table 5-2 Part number correction to Table 8-1 item 40: is: 40360; was 40361	3/26/21



**EZ 50 TRAILER SEALANT MELTER APPLICATOR
PN 40199**

Table of Contents

Contents

1.0 About This Manual	1-1
1.1 How to use this manual:.....	1-1
2.0 Safety Precautions	2-1
2.1 General Safety	2-1
2.2 Personal Safety.....	2-1
2.3 Equipment or Operational Safety	2-1
2.4 California Proposition 65	2-2
2.4.1 All Crafcoc, Inc. Equipment	2-2
2.4.2 All Crafcoc, Inc. Equipment with Non Diesel Engines	2-2
2.5 Towing or Driving for Transporting with Burner On	2-2
2.6 Safety Symbols and Notices.....	2-3
3.0 Limited Warranty	3-1
3.1 Warranty Claim Instructions	3-2
4.0 Machine Specifications	4-1
5.0 Operating Instructions	5-1
5.1 Introduction.....	5-1
5.2 Preparing the Machine for Start Up.....	5-1
5.3 Starting the Burner	5-2
5.4 Dispensing the Material.....	5-3
5.5 Loading Material into the Machine	5-3
5.6 Shutting Down and Cleaning Out the Machine.....	5-4
5.7 Mounting a Skid Machine.....	5-5
5.8 Storing the Machine	5-6
6.0 Preventative Maintenance	6-1
6.1 Hydraulic System.....	6-1
6.2 Heat Transfer Oil.....	6-1
6.3 Wheel Bearings.....	6-1
6.4 Lug Nuts.....	6-1
6.5 Tongue Jack.....	6-2
6.6 Temperature Control Calibration.....	6-2
6.7 Maintenance Chart.....	6-2
6.8 Service Instructions	6-3

Table of Contents

6.9 Recommended Maintenance Parts 6-3

6.10 Recommended Fluids and Lubricants 6-3

6.11 Applicable Brands of Heat Transfer Oil..... 6-4

6.12 Typical Heat Transfer Oil Specifications 6-4

6.13 Cleaning the Material Tank and Thermometer Area 6-5

6.14 Cleaning the Melter 6-5

7.0 Burner Troubleshooting 7-1

 7.1.1 Symptom: Pilot Will Not Light..... 7-1

 7.1.2 Symptom: Burner Will Not Light..... 7-1

7.2 Troubleshooting Sealant Flow 7-1

 7.2.1 Symptom: Sealant Will Not Flow 7-1

 7.2.2 Sealant Heating too Slow 7-2

7.3 Troubleshooting Agitator 7-2

 7.3.1 Symptom: Agitator will Not Rotate 7-2

8.0 About the Illustrated Parts List 8-1

 8.1 Ordering Crafcoc Parts 8-1

 8.2 EZ50 Melter/Applicator 8-2

 8.3 Tank Assembly 8-4

 8.4 Gas Control Box..... 8-5

 8.5 Propane Burner Assembly 8-6

 8.6 Hydraulic Schematic..... 8-7

 8.7 Propane Piping Schematic..... 8-8

 8.8 L.P. Regulator Assembly..... 8-9

 8.9 Propane Torch Assembly 8-10

9.0 Tools and Accessories 9-1

List of Figures

Figure 5.1 Pour Spout in Closed Position..... 5-1

Figure 5.2 Heating Oil Overflow Tank 5-1

Figure 5.3 Hydraulic Reservoir..... 5-1

Figure 5.4 Pilot Control in Pilot Position 5-3

Figure 5.5 Propane Burner Access Door 5-3

Figure 5.6 LPG Tank Valve..... 5-3

Figure 5.7 Pilot Control in On Position 5-3

Figure 6.1 Bolt Tightening Order 6-1

Figure 6.2 Temperature Control Unit..... 6-2

Figure 6.3 Temperature Control Knob..... 6-2

Figure 7.1 Ignitor..... 7-1

Figure 8.1 EZ 50 Melter/Applicator..... 8-2

Figure 8.2 Tank Assembly 8-4

Figure 8.3 Gas Control Box 8-5

Figure 8.4 Propane Burner Assembly 8-6

Figure 8.5 Hydraulic Schematic 8-7

Figure 8.6 Propane Piping Schematic..... 8-8

Figure 8.7 L.P. Regulator Assembly..... 8-9

Figure 8.8 Propane Torch Assembly..... 8-10

List of Tables

Table 2-1 Safety Symbols and Notices	2-3
Table 2-2 Safety Symbols and Notices Continued	2-4
Table 4-1 Specifications.....	4-1
Table 5-1 Preparing the Machine for Start Up	5-1
Table 5-2 Starting the Burner	5-2
Table 5-3 Dispensing the Material.....	5-3
Table 5-4 Loading Material into Sealant Tank	5-3
Table 5-5 Shutting Down and Cleaning Out the Machine	5-4
Table 5-6 Mounting a Skid Machine	5-5
Table 6-1 Maintenance Chart.....	6-2
Table 6-2 Service Instructions.....	6-3
Table 6-3 Recommended Maintenance Parts	6-3
Table 6-4 Recommended Fluids and Lubricants	6-3
Table 6-5 Applicable Brands of Heat Transfer Oil	6-4
Table 6-6 Typical Heat Transfer Oil Specifications.....	6-4
Table 7-1 Pilot will not Light	7-1
Table 7-2 Burner will not Light.....	7-1
Table 7-3 Sealant will not Flow	7-1
Table 8-1 EZ50 Melter/Applicator.....	8-3
Table 8-2 Tank Assembly	8-4
Table 8-3 Gas Control Box.....	8-5
Table 8-4 Propane Burner Assembly	8-6
Table 8-5 Hydraulic Schematic	8-7
Table 8-6 Propane Piping Schematic.....	8-8
Table 8-7 L.P. Regulator Assembly.....	8-9
Table 8-8 Propane Torch Assembly.....	8-10

Chapter 1 Introduction

1.0 About This Manual

This manual is supplied with each new CrafcO EZ 50 Sealant Melter/Applicator. The manual assists your machine operators in the proper use of the melter applicator and provides information about the machine's mechanical functions.

Your CrafcO EZ 50 Sealant Melter/Applicator is specially made to give excellent service and save maintenance expense. However, as with all specially engineered equipment, you get best results at minimum cost if you:

Operate your machine as instructed in this manual.

Maintain your machine regularly as stated in this manual.

1.1 How to use this manual:

This manual is formatted to start each new chapter on the right page. There may be a blank page on the left page if the previous chapter ends on the right page.

If you are viewing this in a digital format (PDF) the following features are available:

1. The Table of Contents, List of Tables, and List of Figures are all hyperlinks, when left mouse clicked on section, table, or figure you will be sent to that page.
2. The blue highlighted text throughout the manual is a hyperlink, when left mouse clicked you will be sent to that page, table, or figure.
3. The panel to the left in the PDF is a bookmarks panel, if you left mouse click on any section/heading in the bookmarks panel you will be sent to that page.

Chapter 2 Safety

2.0 Safety Precautions

2.1 General Safety

- CrafcO, Inc. assumes no liability for an accident or injury incurred through improper use of the machine.
- Read this manual thoroughly before operating the machine.
- Obey all CAUTION and WARNING signs posted on the machine.
- Make sure an operator fully knows how to operate the machine before using the machine.

2.2 Personal Safety

- The high operating temperatures of this machine and the sealant it contains requires that protective clothing, gloves, hard-soled shoes, and safety glasses or a face shield be worn at all times by operators of the machine.
- Prevent water from going into any part of the machine. If there is indication of water in the heat transfer oil system, warm heating oil to 250-300°F for 2 to 3 hours.
- Bodily contact with hot sealant or heat transfer oil can cause severe burns.
- If the agitator / mixer is not stopped before adding solid material, hot material can get on an operator's body and cause severe burns.
- Keep hands, feet, and clothing away from all moving parts.

2.3 Equipment or Operational Safety


- Do not operate the machine in buildings or work areas that do not have sufficient airflow.
- Shut-down the burner and the engine before refilling the gas tank.
- Stop the agitator / mixer before adding solid material to the sealant tank. Lift the lid, place the material on the lid and close the lid. Restart the agitator / mixer.
- Always keep a correctly maintained fire extinguisher near the machine and know how to use it.
- DO NOT heat transfer oil to a temperature of more than 525°F.
- DO NOT put too much heat transfer oil in the reservoir. The expansion of oil while it heats up can cause overflow. With the machine on level ground, check the oil each day before starting the burner. Add oil to the top mark on the dipstick if required (at 70°F). Use only recommended heat transfer oil. Change the oil after 500 hours of machine operation, or one year, whichever comes first.
- Follow the operating instructions for starting and shutting down the burner. Instructions are mounted on the control box on the machine.
- Calibrate the temperature control operation after each 50 hours of machine operation. Refer to Chapter 6, Maintenance Instructions.
- Replace any hoses which show signs of wear, fraying or splitting.
- Make sure all fittings and joints are tight and do not leak each time the machine is used.
- Do not leave the machine unattended while the burner is lit.
- Tighten all bolts and screws every 100 hours of machine operation.

Chapter 2 Safety


2.4 California Proposition 65

The state of California currently maintains a list of chemicals that can cause cancer, birth defects or other reproductive harm. Your CrafcO, Inc. equipment comes with the following warnings:

2.4.1 All CrafcO, Inc. Equipment

 **WARNING:** Cancer and Reproductive Harm - www.P65Warnings.ca.gov
26471N

2.4.2 All CrafcO, Inc. Equipment with Non Diesel Engines

 **WARNING:** Breathing engine exhaust exposes you to chemicals known to the State of California to cause cancer and birth defects or other reproductive harm.

- Always start and operate the engine in a well-ventilated area.
- If in an enclosed area, vent the exhaust to the outside.
- Do not modify or tamper with the exhaust system.
- Do not idle the engine except as necessary.

For more information go to www.P65warnings.ca.gov/diesel.

26157

2.5 Towing or Driving for Transporting with Burner On

The burner in your CrafcO machine is designed for operation only while the unit is parked or towed at slow speeds while applying sealant at a jobsite. When driving or towing this machine for transport, the burner shall be turned off. Operating the burner when transporting the machine is a violation of The Code of Federal Regulations, CFR Title 49, Part 392, Subpart G, 392.67 and may cause damage to the burner and/or machine.

CAUTION






The burner in your CrafcO machine is designed for operation only while the unit is parked or towed at slow speeds while applying sealant at a jobsite. **When driving or towing this machine for transport, the burner shall be turned off.**

Chapter 2 Safety

2.6 Safety Symbols and Notices





Important safety symbols and notices are marked on the machine and in this manual. Failure to comply could result in equipment damage, operational malfunction, serious injury, or death. Please read and comply with all symbols and notices. The table below includes the most commonly used symbols and notices.

Table 2-1 Safety Symbols and Notices

Symbol	Item	Remarks
WARNING	Warning	Refers to possible bodily injury or death.
CAUTION	Caution	Refers to possible equipment damage or operational malfunction.
	Severe Burn Hazard	Hot material can cause severe burns.
	Protective Shoes	Wear hard-soled work shoes.
	Protective Gloves	Wear heat resistant gloves.
	Protective Face or Eye Wear	Wear face shield or safety glasses.
	Body Crush Hazard	Do not stand between trailer and hitch when hooking melter to truck.

Chapter 2 Safety

Table 2-2 Safety Symbols and Notices Continued

Symbol	Item	Remarks
	Crush Hazard	Keep feet and legs clear.
	Pinch Hazard	Keep hands and feet clear.
	Exhaust Hazard	Avoid breathing engine exhaust.
	Read Manual	Read and understand operator and safety manuals before operating machine



Chapter 3 Warranty Information

3.0 Limited Warranty

CrafcO, Inc. (Manufacturer), or one of its affiliated distributors, will replace for the original purchaser free of charge any parts found upon examination by the Manufacturer, to be defective in material or workmanship. This warranty is for a period **two years** from the invoice date, but excludes engine or components, tires, and battery as these items are subject to warranties issued by their manufacturers.

CrafcO, Inc. shall not be liable for parts that have been damaged by accident, alteration, abuse, improper lubrication/maintenance, normal wear, or other cause beyond our control.

The warranty provided herein extends only to the repair and/or replacement of those components on the equipment covered above and does not cover labor costs. The warranty does not extend to incidental or consequential damages incurred as a result of any defect covered by this warranty.

All transportation and labor costs incurred by the purchaser in submitting or repairing covered components must be borne by the purchaser. CrafcO, Inc. specifically disavows any other representation, warranty, or liability related to the condition or use of the product.

CAUTION

Use of replacement parts other than genuine CrafcO parts may impair the safety or reliability of your equipment and nullifies any warranty.

Chapter 3 Warranty Information

3.1 Warranty Claim Instructions

Crafco, Inc. warrants parts and machinery purchased through Crafco or one of its affiliated distributors for two years from the invoice date. Wear items are not covered under the Crafco, Inc. limited warranty. A wear item is defined as but not limited to: material pumps, sealing tips, tires, etc.

If parts fail to function within two years of invoice date, a return authorization number (RA) must be obtained. If the part was purchased through Crafco, Inc., please contact Crafco returns department at [Returns@Crafco.com](mailto>Returns@Crafco.com) for an RA number or if purchased through a Crafco distributor please contact your distributor.

Note: if the part has a serial number associated with it, for example; a machine or electric hose or wand, this must be furnished when requesting the RA number. The customer will be emailed or faxed an RA form with all instructions to return the item to Crafco, Inc. See example. If the part is found to be within the two year warranty period and has not been abused or modified, a credit will be issued to the customer's account or credit card. The customer may request the part be replaced instead of a credit, if desired.

Note: All engine warranties are covered through the engine manufacturer. If you need information for a distributor in your area please contact us and we will direct you to the closest engine distributor.

All parts returned are tested and evaluated. If the part has been modified in any way without prior consent from a Crafco, Inc. representative, warranty is void.

Please follow the instructions stated below when calling in a Warranty Claim. Failure to follow these procedures may be cause to void the warranty.

Call your local Crafco Distributor. If you do not know who your local distributor is, call a Crafco Customer Service Representative, (Toll Free 1-800-528-8242) for name, location and telephone number.

On contacting the distributor, be prepared to identify the serial number, model number, engine number, engine manufacturer, and the date of purchase if available.

Should the cause of the malfunction be a defective part, the Distributor will advise you of the procedure to follow for a replacement.

The warranty is valid only for parts, which have been supplied or recommended by Crafco, Inc.

If you have any additional questions regarding warrant repairs and parts, please do not hesitate to call toll free 1-800-528-8242.

For Warranty:
Crafco, Inc.
25527 South Arizona Avenue, Chandler, AZ
85248
Phone: +1 (480) 655-8333 or +1 (800) 528-8242
Fax: +1 (480) 655-1712

For all other inquires:
Crafco, Inc.
6165 W. Detroit St.,
Chandler, AZ 85226
Phone: +1 (602) 276-0406 or +1 (800) 528-8242
Fax: +1 (480) 961-0513
CustomerService@crafco.com

Chapter 4 Machine Specifications

4.0 Machine Specifications

Table 4-1 Specifications

Specification	PN 40199 Trailer	PN 40000 Skid
Vat capacity	50 gallons	
Melt Capacity	400 lbs. per hour	
Heat transfer oil required	18 gallons at 70°F	
Tank construction	Double boiler type	
Tank opening size	14 3/4" x 12 3/4"	
Maximum heat input	Vapor Burner 185,000 BTUs	
Burner and temperature control	Automatic – Fail Safe	
Engine Briggs & Stratton	Single cylinder 3 BHP @ 3600 RPM	
Drive Mechanism	All hydraulic with infinite forward and reverse action	
Agitator / Mixer	Full sweep agitator with 2 blades	
Axle	2250lbs. Capacity	
Tires	ST 175/80 D13 (1,360lbs. Capacity each)	
Dry Weight	Approximately 1500lbs.	
Propane Bottle	100lbs.	

Chapter 5 Operating Instructions

5.0 Operating Instructions

5.1 Introduction

The Crafcó E-Z Pour 50 Propane Melter was developed to melt Crafcó sealants. However, it works well with most road asphalt and federal specification crack or joint sealants.

Note: DO NOT attempt to operate the machine without using these and all other instructions.

5.2 Preparing the Machine for Start Up

Table 5-1 Preparing the Machine for Start Up


Step	Action
1	Fill the engine fuel tank with non-leaded gasoline.
2	Fill propane storage tank
3	Check the oil level in the engine crankcase. (Refer to the manufacturer's instruction for the engine.)
4	Check the hydraulic fluid level while at a temperature of 70°F. Add fluid if necessary. Oil level should be 1"-2" from top of tank. See Figure 5.3
5	With the machine on level surface, check the heat transfer oil level. Add oil to the top mark on the dipstick if required (at 70°F). DO NOT overfill or spillage may occur when the oil is heated and expands. See Figure 5.2
5	Ensure that pour spout is in the closed position. See Figure 5.1
Warning	
	<p>The safe operation of this machine is the operator's responsibility. Use extreme care when operating this machine; safety is the result of being careful and paying attention to details. Remember the propane flame is approximately 2,200°F. Some exposed parts of the machine reach 500°F, the sealant 400°F, and the hydraulic fluid 200°F.</p> <p>Always put on protective clothing, gloves, hard-soled shoes, and safety glasses or a face shield. Be sure that all joints and fittings are tight and leak proof. Immediately replace any hose, which shows any signs of wear, fraying, or splitting. Tighten all bolts, nuts, and screws every 100 hours.</p>



Figure 5.3 Hydraulic Reservoir



Figure 5.2 Heating Oil Overflow Tank



Figure 5.1 Pour Spout in Closed Position

Chapter 5 Operating Instructions

5.3 Starting the Burner

Table 5-2 Starting the Burner

Step	Action
1	Open LPG tank valve. See Figure 5.4 LPG Tank Valve
2	Open in-line ball valve. See Figure 5.4 LPG Tank Valve
3	Open propane burner access door. See Figure 5.5 Propane Burner Access Door
4	Open burner control box
5	Turn temperature control "OFF"
6	Take the hand torch and light it with a striker so you have a small flame that will be used to light the pilot located inside the propane burner access door.
7	Turn pilot control knob to "PILOT" inside the control box. See Figure 5.6 Pilot Control in Pilot Position
8	Push pilot control knob in and light pilot light using supplied torch. Remove hand torch and continue to hold pilot control knob in until pilot remains lit when control knob is released. It may take 30 seconds or so, as the pilot needs to be hot to stay lit. After pilot is burning long enough, turn pilot control knob to "ON". The pilot light should stay lit. If not, repeat sequence, and hold the control knob in longer before turning to "ON". See Figure 5.7 Pilot Control in On Position
9	Turn temperature dial to desired setting. Burner should ignite.
10	Close access door
11	Important: The solid material in the tank melts first around the walls and bottom of the tank. The material temperature sensor is located by the wall, therefore, it is possible that at the beginning of the melt process the indicated temperature reaches operating value, but the material closer to the center of the tank is still solid. This is normal.
12	Allow the heat transfer oil to continue to heat.
13	When the sealant material reaches 275°F, engage the agitator (aka mixer). To engage the agitator / mixer: a) set agitator valve to neutral so there is no load on the engine b) set the engine throttle to the fast position. Start the engine by quickly pulling the engine crank cord. c) engage the agitator by setting the agitator valve to forward or reverse. Note: If the agitator does not move, disengage the agitator and allow the material to heat longer. Disengage the agitator by moving the agitator valve to neutral.
	Caution
	Jamming the agitator can cause the hydraulic oil to overheat and damage the machine

Chapter 5 Operating Instructions



Figure 5.4 LPG Tank Valve



Figure 5.5 Propane Burner Access Door



Figure 5.6 Pilot Control in Pilot Position

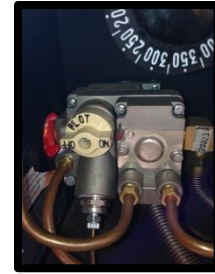


Figure 5.7 Pilot Control in On Position

5.4 Dispensing the Material

Table 5-3 Dispensing the Material

Step	Action
	Warning
	Put on protective clothing, gloves, hard-soled shoes, and face shield or safety glasses when operating or filling this machine. Read the entire manual before operating the machine. Hot materials can cause severe burns.
1	Allow the material to reach 380°F or proper operating temperatures.
2	Place pour pot under pour spout.
3	Open ball valve slowly to dispense material, and close ball valve when finished.

5.5 Loading Material into the Machine

Table 5-4 Loading Material into Sealant Tank

Step	Action
	Warning
	Following this procedure prevents hot material from getting on operators and causing severe burns
1	To load material into the sealant tank first open the lid
2	Place the solid material on the lid then close the lid
3	Continue adding solid blocks at intervals to allow the agitator / mixer to rotate without jamming. Note: If blocks of solid material are added too quickly, jamming results and slows down the melting process.

Chapter 5 Operating Instructions

5.6 Shutting Down and Cleaning Out the Machine

Table 5-5 Shutting Down and Cleaning Out the Machine

Step	Action
	Caution
	When shutting down the machine for the day, CrafcO recommends leaving the melter about half full with material. This will give a fairly rapid heat up rate in the morning, but allow enough material to start dispensing right away when the material becomes molten.
1	Turn agitator / mixer "OFF"
2	Turn pilot control knob to "OFF"
3	Turn Thermostat dial to the "OFF" position.
4	Stop engine by positioning throttle lever to the slow, and then to the stop position.

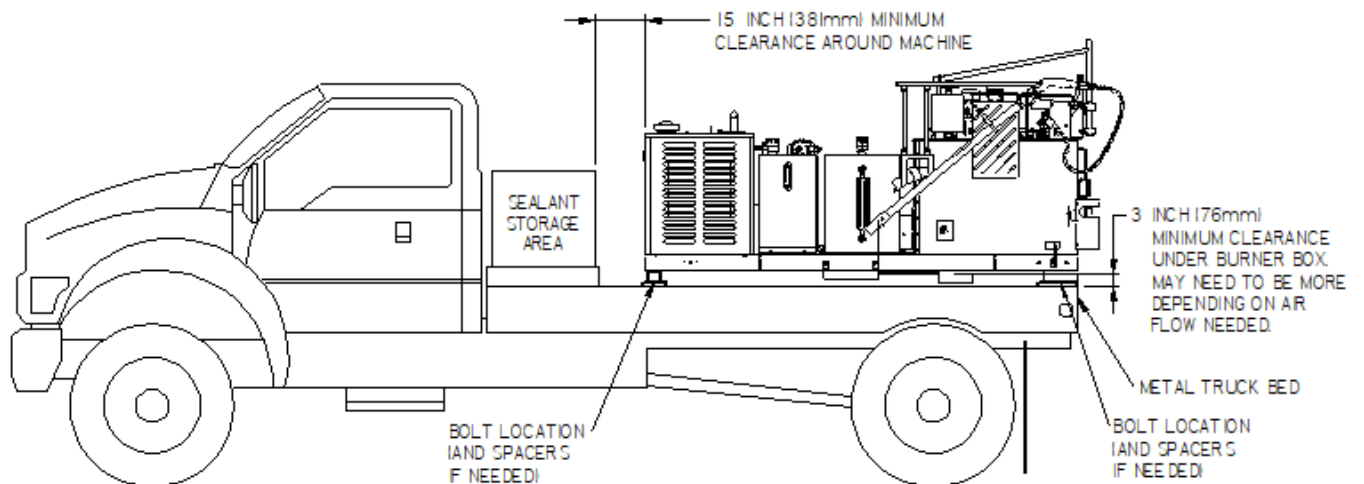
Chapter 5 Operating Instructions

5.7 Mounting a Skid Machine

Table 5-6 Mounting a Skid Machine

Step	Action
	WARNING
	The truck needs to be of proper size to hold the loaded weight and size of the machine and any extra material to be carried. The center of gravity of the loaded machine should be above or in front of the rear main axle. Contact CrafcO for help in determining the location of the center of gravity of your machine before mounting.
	WARNING
	Only mount the unit to a metal truck bed or any other non-flammable surface that can support the weight of the machine.
	Failure to use the correct mounting surface could result in damage and possible fire!
	WARNING
	Mount the machine a minimum of 3" (76mm) above the truck bed. Depending on the machine and airflow, you may have to mount it higher to prevent excessive temperatures on the machine and truck bed.
1	Mount with four ½" diameter Grade 5 bolts (or 12mm Grade 10.9) minimum, using the loading tubes at each corner of the machine to secure it in place.
	WARNING
	Leave 15" (381mm) clearance around the machine. Keep this area clear of any flammable material such as empty sealant boxes.
	Failure to keep this area clear could result in damage and possible fire!

TYPICAL SKID MOUNT GUIDELINES



Chapter 5 Operating Instructions

5.8 Storing the Machine

Store the machine in an area where moisture cannot enter the heating system such as the heat transfer oil tank, etc. Extended down time can cause moisture build up in the heating oil tank. If there is any evidence that moisture has collected in the heat transfer oil, warm the heat transfer oil to 300°F for two to three hours to evaporate the moisture.

Chapter 6 Maintenance Instructions

6.0 Preventative Maintenance

Refer to the manufacturer's operating and maintenance instructions for the engine.

6.1 Hydraulic System

- Check hydraulic fluid daily.
- Change hydraulic fluid every 500 hours of operation.
- Hydraulic fluid level should be kept 1-2 inches from the top of the tank.

6.2 Heat Transfer Oil

- Check the oil level at the start of every day.
- Change the oil every 500 hours of operation.

6.3 Wheel Bearings

Pack the wheel bearing every 24,000 miles or every 2 years, whichever comes first. Use a good grade of bearing grease.

6.4 Lug Nuts

- Torque all nuts/bolts before first road use and after each wheel removal. Check and torque after first 10 miles, 25 miles, and again at 50 miles. Check periodically thereafter.
- Torque in stages as follows:
 - First stage 20-25 foot-pound (ft-lb)
 - Second stage 50-60 foot-pound (ft-lb)
 - Third stage 90-120 foot-pound (ft-lb)

Tighten bolts and nuts in the sequence shown in [Figure 6.1 Bolt Tightening Order](#)

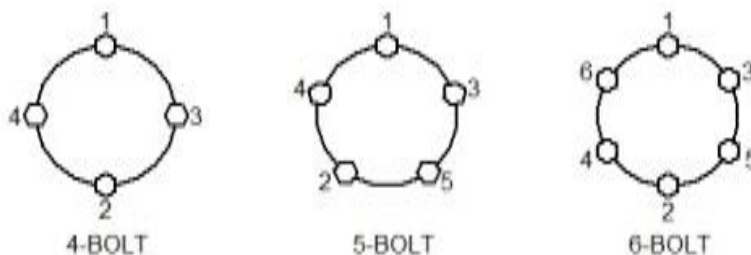


Figure 6.1 Bolt Tightening Order

Chapter 6 Maintenance Instructions

6.5 Tongue Jack

Lubricate the tongue jack, using a good grade of bearing grease.

6.6 Temperature Control Calibration

Check the control knob calibration weekly. Calibrate by setting temperature dial to 200°F. When the burner shuts off, indicated by the green light turning off, carefully pull the knob (See [Figure 6.3 Temperature Control Knob](#)) off the stem. Be careful not to move the stem during this operation. With a jeweler’s screwdriver turn the adjusting screw (See [Figure 6.2 Temperature Control Unit](#)) inside the stem counterclockwise to increase temperature or clockwise to decrease temperature (1/8 turn will change the temperature 150°F – 200°F), carefully replace knob. Both the knob and the temperature gauge should now read approximately 200°F.



Figure 6.3 Temperature Control Knob

Knob

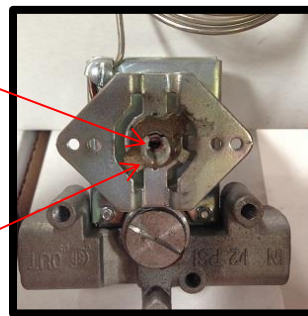


Figure 6.2 Temperature Control Unit

Adjusting
Screw

Stem

6.7 Maintenance Chart

Table 6-1 Maintenance Chart

Possible Cause	Procedure	Hours			
		8	20	250	500
Engine check oil level	Refer to the manufacturer’s instructions for the engine	X			
Heat Transfer Oil	Check	X			
	Change				X
Hydraulic Oil	Check	X			
	Change				X
Burner	Clean burner	Once a year			
Wheel Bearings	Clean and re-pack using a good grade of bearing grease	Every 24,000 miles or two years			
Tongue Jack	Grease using a good grade of bearing grease.	Once a year			

Chapter 6 Maintenance Instructions

6.8 Service Instructions

Table 6-2 Service Instructions

Step	Action
1	Do a general inspection of your machine at least once a week
2	Replace all worn or damaged parts Note: Keep regular replacement parts in stock for emergency repairs to prevent costly downtime.
3	Make any necessary adjustments and tighten all loose nuts or screws
4	Watch for leaks. Tighten fittings or repair as necessary.
5	Clean the external surfaces of the machine at regular intervals. Note: Refer to the sealant manufacturer's instructions for recommendations.
6	Follow the recommended maintenance per Table 6-1 Maintenance Chart

6.9 Recommended Maintenance Parts

Table 6-3 Recommended Maintenance Parts

PART NO.	DESCRIPTION
40097	THERMOPYLE
40091	PILOT
40096	GAS VALVE
40087	TEMPERATURE CONTROLLER
25203	STUFFING BOX

6.10 Recommended Fluids and Lubricants

Table 6-4 Recommended Fluids and Lubricants

Application	Recommended	Full Point
Engine Oil	Refer to engine manual	20 fl. oz.
Hydraulic Oil	Shell AW Hydraulic 46	2 Gal.
Heat Transfer Oil	Shell Turbo T 68 (Group II)	18 Gal.
Propane	Vapor Draw	100lb.

Chapter 6 Maintenance Instructions

6.11 Applicable Brands of Heat Transfer Oil

Table 6-5 Applicable Brands of Heat Transfer Oil

Manufacturer	Product Name	Crafco Heat Transfer Fluid
Chevron	Heat Transfer Oil Grade 46	Shell Turbo T 68 (Group II)
Citgo	Hytherm Oil 46	Shell Turbo T 68 (Group II)
Conoco	Hydroclear Heat Transfer Oil	Shell Turbo T 68 (Group II)
Fina	Vulcan Heat Transfer Oil 46	Shell Turbo T 68 (Group II)
Lubrication Engineers	Heat Transfer Oil	Shell Turbo T 68 (Group II)
Exxon Mobile	Caloria HT 43	Shell Turbo T 68 (Group II)
Mobil	Mobiltherm 43	Shell Turbo T 68 (Group II)
Mobil	Mobiltherm 603	Shell Turbo T 68 (Group II)
Phillips 66	Heat Transfer Oil #3	Shell Turbo T 68 (Group II)
Phillips 66	Magnus Oil 68	Shell Turbo T 68 (Group II)

Caution

The heat transfer oil in this machine is a grade that has been tested and recommended by Crafco, Inc. Using a grade of oil not specifically recommended by Crafco, Inc., is cause for warranties to be voided.

All oils subjected to high temperatures deteriorate with time and lose many of their characteristics. Tests conducted by Crafco, Inc. have determined that for best results and safety, the heat transfer oil in this machine must be drained and replaced with Crafco, Inc. recommended oil after five hundred (500) hours of machine operation or one (1) year, whichever occurs first.

6.12 Typical Heat Transfer Oil Specifications

Table 6-6 Typical Heat Transfer Oil Specifications

ISO	68
Flash Point, COC	445°F
Viscosity @ 100°F-SUS	325
Viscosity @ 210°F-SUS	50
Viscosity Index	95-100
Pour Point	0°F
Carbon residue	1%

Chapter 6 Maintenance Instructions

6.13 Cleaning the Material Tank and Thermometer Area

The material tank needs to be cleaned every year or as needed for proper operation. As the machine is used, material builds up around the tank walls and thermometer guard. The built up material prevents heat from getting to the fresh material and causes longer heat up times. The built up material will also prevent the material thermometer from reading as accurately because it becomes insulated from the fresh material. The coked material needs to be scraped or chipped from the tank walls. The area between the thermometer and guard needs to be cleaned also for proper temperature sensing. An air chisel with various sized blades usually works best to break up the material and remove it from the walls. Once the walls and thermometer guard areas are cleaned, remove all the loose chunks from the tank, and vacuum out any smaller pieces.

6.14 Cleaning the Melter

We recommend using Orange-Sol industrial cleaner for cleaning the exterior of the machine. The cleaner can be found at the following website; <https://www.orange-sol.com/industrial-formula/>.

Chapter 7 Troubleshooting

7.0 Burner Troubleshooting

7.1.1 Symptom: Pilot Will Not Light

Table 7-1 Pilot will not Light

Step	Possible Cause	If...
1	Low fuel pressure	Yes, check pressure regulator, it is not adjustable, replace if needed. No, Go to Step 2
2	Orifice plugged	Yes, Clean orifice No, Go to Step 3
3	Thermopile dislocated/or faulty	Yes, Adjust so that 3/4" of tip is exposed to igniter flame. See Figure 7.1 Ignitor

7.1.2 Symptom: Burner Will Not Light

Table 7-2 Burner will not Light

Step	Possible Cause	If...
1	Low fuel pressure	Yes, check pressure regulator, it is not adjustable, replace if needed. No, Go to Step 2
2	Pilot not lit	Yes, Light pilot No, Refer to CrafcO Service Technician

7.2 Troubleshooting Sealant Flow

7.2.1 Symptom: Sealant Will Not Flow

Table 7-3 Sealant will not Flow

Step	Possible Cause	If...
1	Sealant Temperature too low	Yes, Allow material to heat longer No, Go to Step 2
2	Old material remains in pour spout	Yes, Heat pour spout to liquefy old material

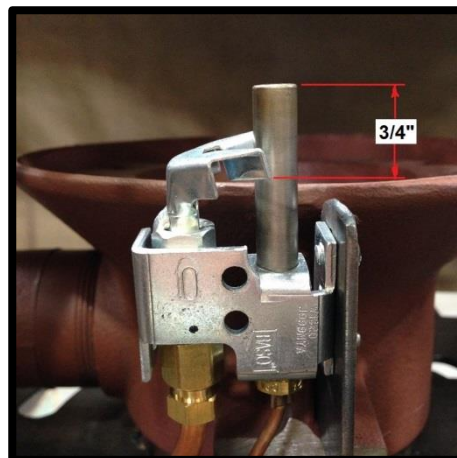


Figure 7.1 Ignitor

Chapter 7 Troubleshooting

7.2.2 Sealant Heating to Slow

Step	Sealant is Heating Slowly
1	With the material level half or less, open the loading lid and inspect the inside edge of the material tank. Check if there is a buildup of coked or crystallized sealant along the top half of the material tank.
2	If this is the case you will need to drain out (use up) the rest of the material inside the tank. When the tank is empty, use an air chisel to remove this built up material. Remove as much as possible all around the tank including the roof of the material tank. Remove all the debris from the bottom of the material tank. This should be done once a year or as needed.
3	Check your level of the heat transfer oil, the mark on the dipstick is for 70°F.
4	Check your records of the last service replacement of the heat transfer oil. If it has been longer than 500 hours, or one year, you need to change the oil.
5	Many of Crafco, Inc. service centers can perform these service steps for you if you cannot. Call your local service center to find out if they can.

7.3 Troubleshooting Agitator

7.3.1 Symptom: Agitator will Not Rotate

Step	Possible Cause	If...
1	Sealant Temperature too low.	Yes, Allow sealant to heat longer No, Go to Step 2
2	Too many block placed in machine at one time	Yes, Continue heating and reverse agitator / mixer direction as needed No, Go to Step 3
3	Inadequate hydraulic pressure	Yes, Adjust pressure to 1000 PSI or Check oil level No, Call Crafco, Inc. for technical service

Chapter 8 Illustrated Parts List

8.0 About the Illustrated Parts List

The illustrated Parts List (IPL) is designed to help technical service or maintenance personnel correctly identify orderable replacement parts.

Illustrations are designed to show general shape and size of a part and the relationship that the parts has to other parts. Actual size and shape of parts or components may differ or vary from the actual part or component.

8.1 Ordering Crafco Parts

Crafco distributors and Crafco Pavement Preservation Supply Centers are strategically located throughout the United States. Parts can be ordered from your local Crafco distributor or directly from Crafco, Inc. if a distributor is not available in your area.

When ordering parts, give the following information:

- Part Number
- Machine Model
- Serial Number

Write, call, or Fax Crafco, Inc. at the following:

Crafco, Inc. Headquarters

6165 W Detroit St.

Chandler, AZ 85226-2601

Phone: +1 (602) 276-0406

Toll Free: +1 (800) 528-8242

Fax: +1 (480) 961-0513

Visit our website at www.crafco.com

Chapter 8 Illustrated Parts List

8.2 EZ50 Melter/Applicator

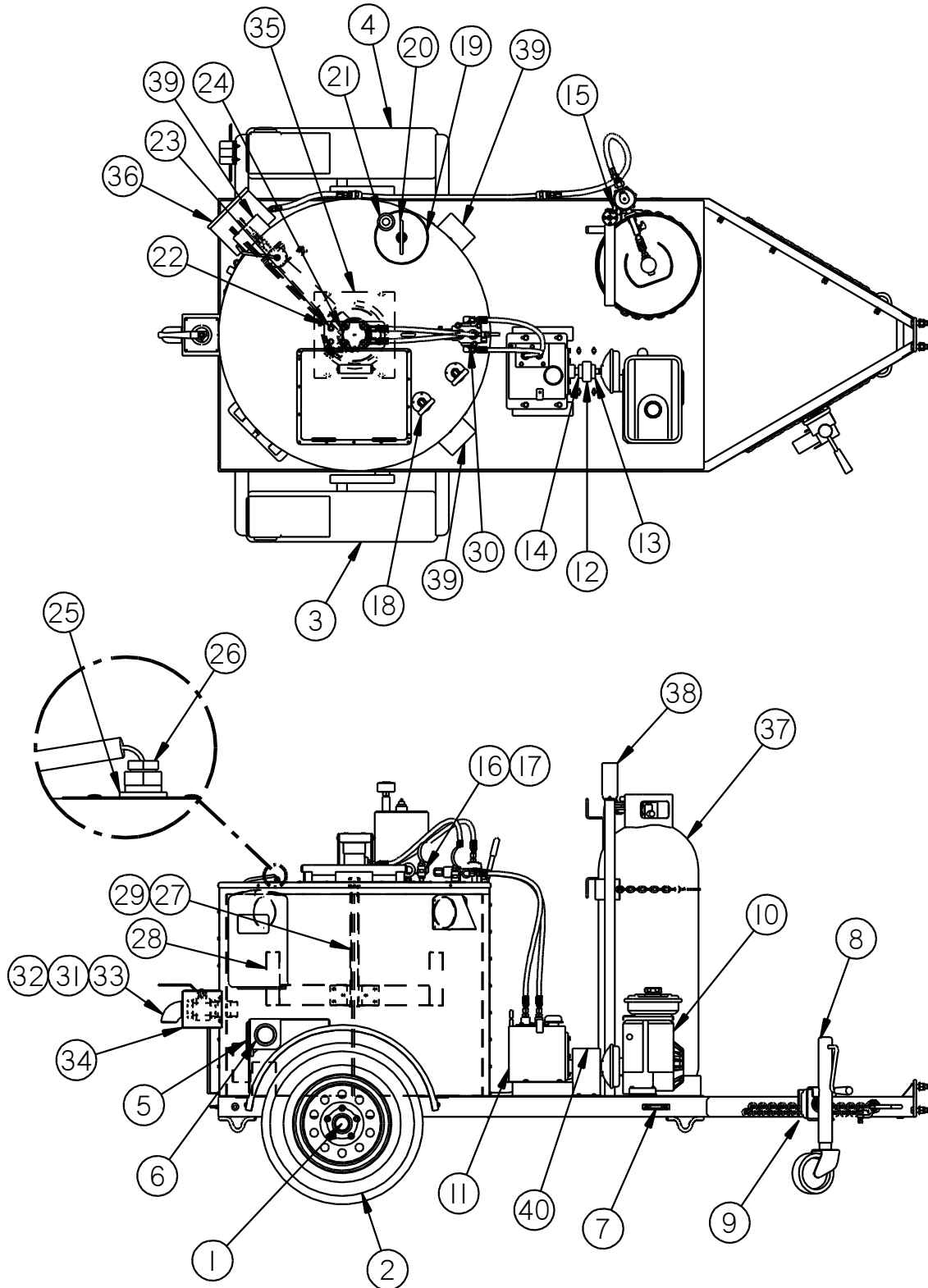


Figure 8.1 EZ 50 Melter/Applicator

Chapter 8 Illustrated Parts List

Table 8-1 EZ50 Melter/Applicator

FIG.	ITEM	PART NO.	DESCRIPTION	QTY
Figure 8.1	1	43577	AXLE ASSEMBLY	1
	2	44340	TIRE and WHEEL ASSEMBLY	2
	3	44776	FENDER ASSEMBLY, DRIVER SIDE	1
	4	44777	FENDER ASSEMBLY, PASSENGER SIDE	1
	5	32363	STOP, TURN, TAIL LIGHT	2
	6	32364	SIDE MARKER LIGHT, RED	2
	7	32365	CLEARANCE MARKER, YELLOW	2
	8	40105	SWIVEL TONGUE JACK	1
	9	40106	JACK MOUNTING BRACKET	1
	10	40880N	GAS ENGINE	1
	11	40082	HYDRAULIC PUMP AND RESERVOIR	1
	12	40081	COUPLING, DELRIN	1
	13	40085	SPROCKET, 16T	1
	14	26005	SPROCKET, 16T	1
	15	26032	KNOB	1
	16	28344	REDUCER BUSHING, 1/2" X 1/2"	1
	17	28178	COUPLING, 1/2" NPT	2
	18	40078	TEMPERATURE GAUGE, 12"	2
	19	43355	OVERFLOW TANK	1
	20	40136	DIPSTICK	1
	21	26025	BREATHER	1
	22	40030	SPACER	4
	23	40029	MOUNTING PLATE, HYD. MOTOR	1
	24	22027	HYDRAULIC MOTOR	1
	25	28177	PIPE COUPLING, 3/8"	1
	26	25203	STUFFING BOX	1
	27	40050	AGITATOR SHAFT	1
	28	40060	PADDLE ASSEMBLY	2
	29	32093	SPACER	1
	30	40083	CONTROL VALVE	1
	31	29281	BALL VALVE, 2"	1
	32	28046	NIPPLE, 2"NPT X 4" LONG	1
	33	28441	ELBOW, 2" 90° WELD	1
	34	40335	HEAT GUARD	1
	35	43125	BURNER ASSEMBLY	1
	36	40330	CONTROL BOX ASSEMBLY	1
	37	25118	TANK, 100# PROPANE	1
	38	25016	HAND TORCH ASSEMBLY	1
	39	40812	VENT COVER	3
	40	40360	EZ50 SHAFT GUARD	1

Chapter 8 Illustrated Parts List

8.3 Tank Assembly

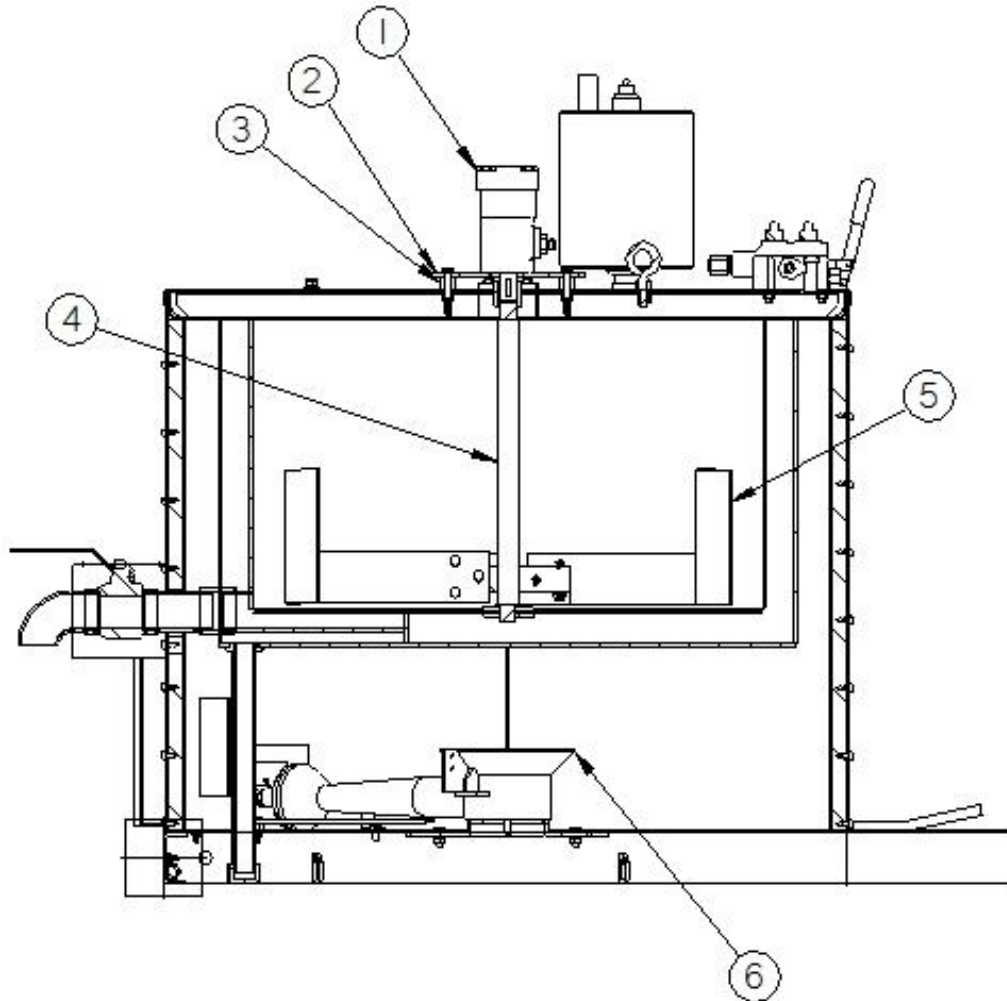


Figure 8.2 Tank Assembly

Table 8-2 Tank Assembly

FIG.	ITEM	PART NO.	DESCRIPTION	QTY
Figure 8.2	1	22027	HYDRAULIC MOTOR	1
	2	40029	MOUNTING PLATE, HYDRAULIC MOTOR	1
	3	40030	SPACER	4
	4	40050	AGITATOR SHAFT	1
	5	40060	PADDLE ASSEMBLY	2
	6	43125	BURNER ASSEMBLY	1

Chapter 8 Illustrated Parts List

8.4 Gas Control Box

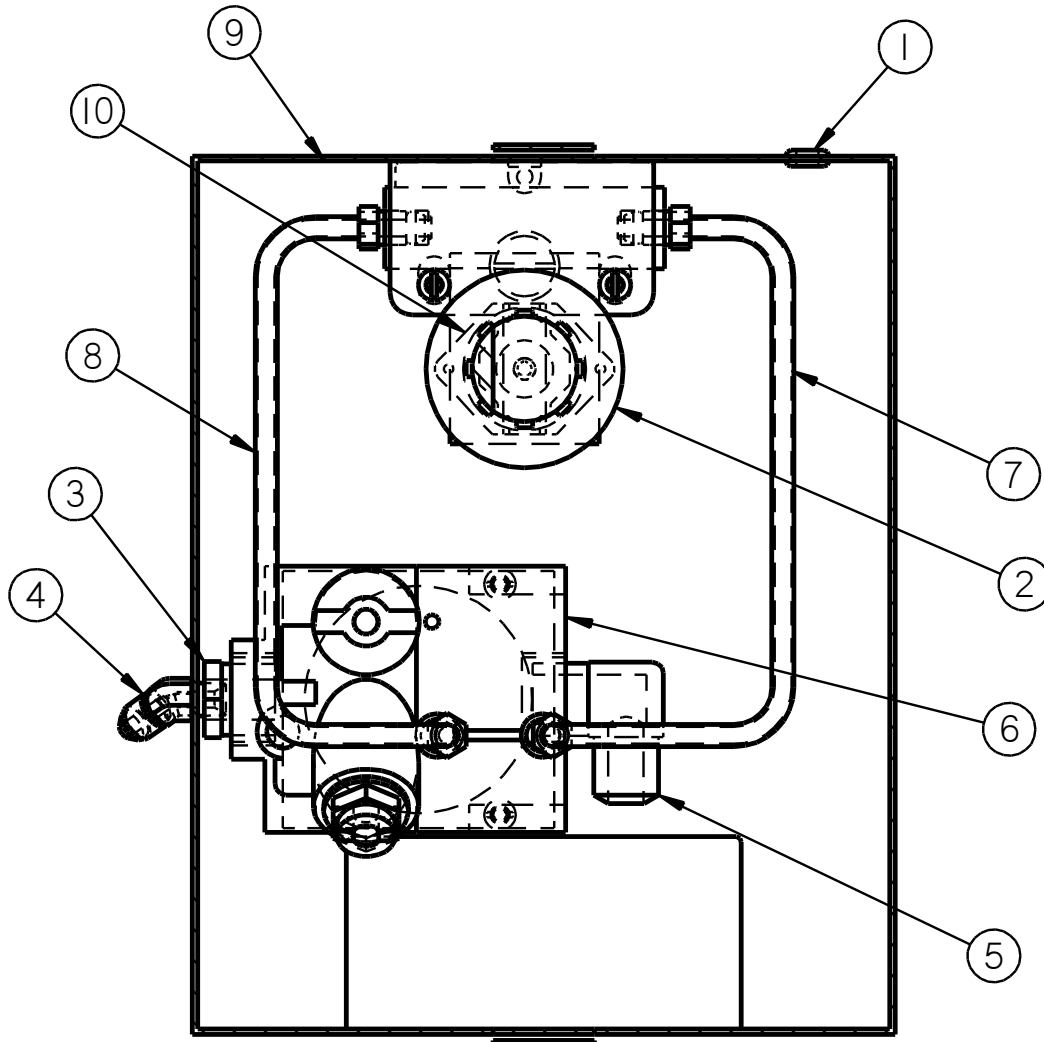


Figure 8.3 Gas Control Box

Table 8-3 Gas Control Box

FIG.	ITEM	PART NO.	DESCRIPTION	QTY
Figure 8.3	1	25217	GROMMET	1
	2	25220	DIAL, TEMPERATURE	1
	3	28344	BUSHING, 1/2" X 1/4" REDUCER	1
	4	29857	ELBOW, 1/4" NPT X 3/8" JIC 45°	1
	5	29823	ELBOW, 1/2" NPT X 1/2" 45° FLARE	1
	6	40096	GAS VALVE	1
	7	40333	CONTROL TUBE, R.H.	1
	8	40332	CONTROL TUBE, L.H.	1
	9	40331	CONTROL BOX	1
	10	40087	TEMP. CONTROLLER w/ CAPILLARY SENSOR TUBE	1

Chapter 8 Illustrated Parts List

8.5 Propane Burner Assembly

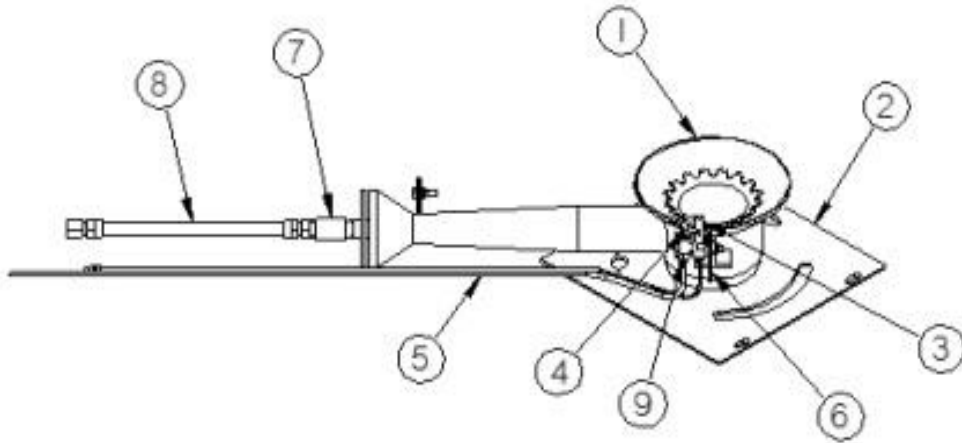


Figure 8.4 Propane Burner Assembly

Table 8-4 Propane Burner Assembly

FIG.	ITEM	PART NO.	DESCRIPTION	QTY
Figure 8.4	1	41210	BURNER, PROPANE	1
	2	43118	MOUNTING PLATE, BURNER	1
	3	40097	THERMOPILE	1
	4	40091	PILOT	1
	5	40093	TUBE, PILOT FEED	1
	6	43120	PLATE, PILOT MOUNTING	1
	7	28178	COUPLING, 1/2" NPT	1
	8	40098	GAS LINE CONNECTOR	1
	9	29475	NUT, 7/16-20 FLARE	1

Chapter 8 Illustrated Parts List

8.6 Hydraulic Schematic

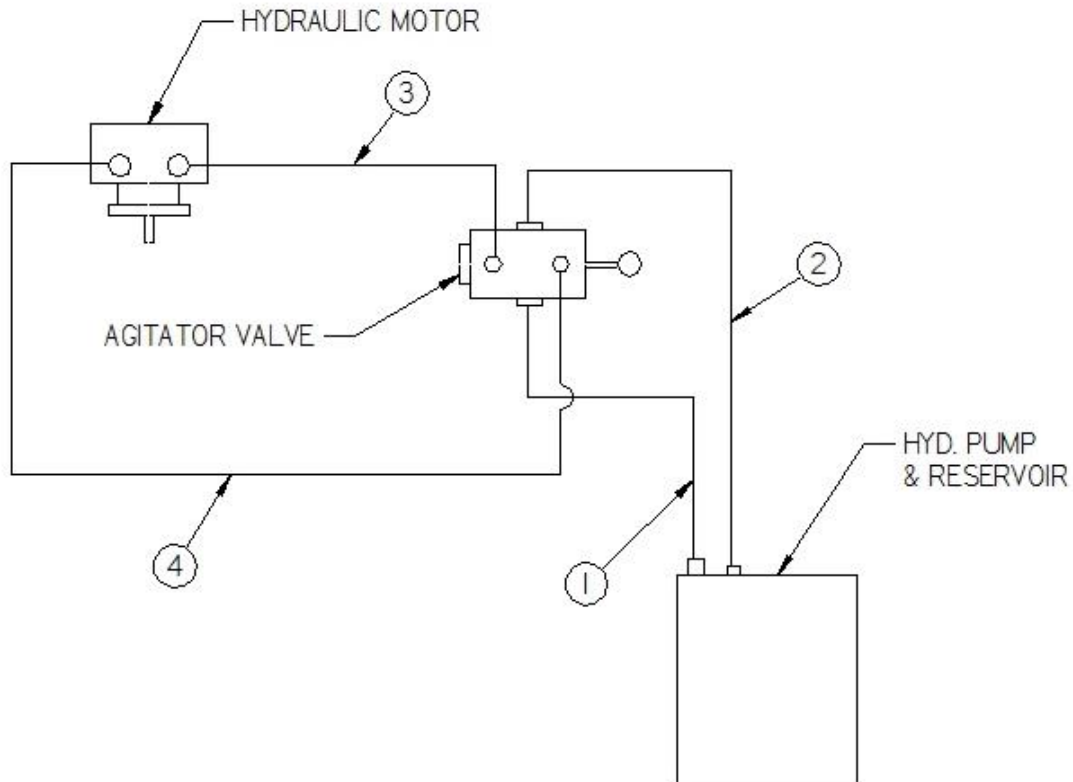


Figure 8.5 Hydraulic Schematic

Table 8-5 Hydraulic Schematic

FIG.	ITEM	PART NO.	DESCRIPTION	QTY
Figure 8.5	1	HYD. RESERVOIR (REAR PORT) TO AGITATOR VALVE (IN PORT)		
		29841	ADAPTER, 1/2" NPT X 6 JIC STR.	1
		29603	HOSE, PRESSURE	1
		29872	ADAPTER, 3/8" NPT X 3/8" JIC 90° ELBOW	1
	2	AGITATOR VALVE (OUT PORT) TO HYD. RESERVOIR (FRONT PORT)		
		29872	ADAPTER, 3/8" NPT X 3/8" JIC 90° ELBOW	1
		29603	HOSE, PRESSURE	1
	3	AGITATOR VALVE (REAR PORT) TO HYD. MOTOR (L.H. PORT)		
		29834	ADAPTER, 3/8 NPT X 3/8 JIC STR.	1
		29615	HOSE ASSEMBLY	1
	4	AGITATOR VALVE (FRONT PORT) TO HYD. MOTOR (R.H. PORT)		
		29834	ADAPTER, 3/8 NPT X 3/8 JIC STR.	1
		29615	HOSE, ASSEMBLY	1
		22029	ADAPTER, 5/8 ORING X 3/8 JIC STR.	1

Chapter 8 Illustrated Parts List

8.7 Propane Piping Schematic

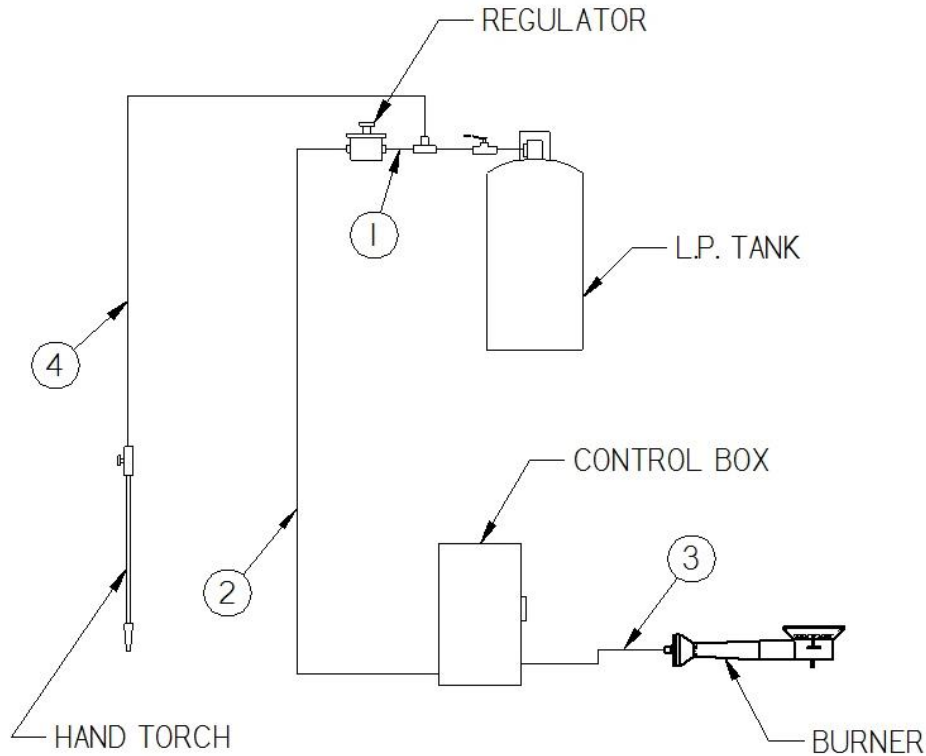


Figure 8.6 Propane Piping Schematic

Table 8-6 Propane Piping Schematic

FIG.	ITEM	PART NO.	DESCRIPTION	QTY	
Figure 8.6	1	L.P. TANK TO REGULATOR			
		40094	L.P. REGULATOR ASSEMBLY	1	
	2	REGULATOR TO CONTROL BOX			
		LP6-60	HOSE, PROPANE	1	
		29832	ADAPTER, 1/2 NPT X 3/8 45° FLARE STR.	1	
		40827	GAS LINE ASSEMBLY	REF	
		29832	ADAPTER, 1/2 NPT X 3/8 45° FLARE STR.	1	
		LP6-12	HOSE, PROPANE	1	
	3	CONTROL BOX TO PROPANE BURNER			
		29823	ADAPTER, 1/2 NPT X 1/2 45° FLARE 90° ELBOW	REF	
		40098	GAS LINE	REF	
	4	TEE IN LINE #1 TO HAND TORCH			
		29840	ADAPTER, 3/8 NPT X 3/8 45° FLARE 90° ELBOW	1	
		25130	HOSE ASSEMBLY	1	
25016		HAND TORCH ASSEMBLY	1		

Chapter 8 Illustrated Parts List

8.8 L.P. Regulator Assembly

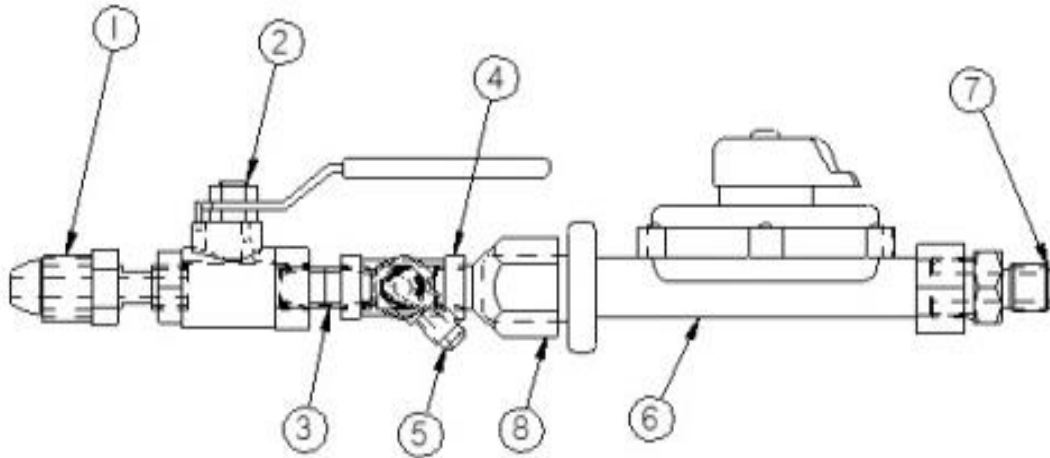


Figure 8.7 L.P. Regulator Assembly

Table 8-7 L.P. Regulator Assembly

FIG.	ITEM	PART NO.	DESCRIPTION	QTY
Figure 8.7	1	25123	TANK SPUD	1
	2	29195	BALL VALVE, 1/4	1
	3	28001	NIPPLE, 1/4 CLOSE	1
	4	28251	TEE, 1/4 PIPE	1
	5	29870	ADAPTER, 1/2 NPT X 3/8 45° FLARE 90° ELBOW	1
	6	45594	GAS MANIFOLD	1
	7	29832	ADAPTER, 1/2 NPT X 3/8 45° FLARE STR.	1
	8	45598	FITTING, POL FEMALE X 1/4 NPT	1

Chapter 8 Illustrated Parts List

8.9 Propane Torch Assembly

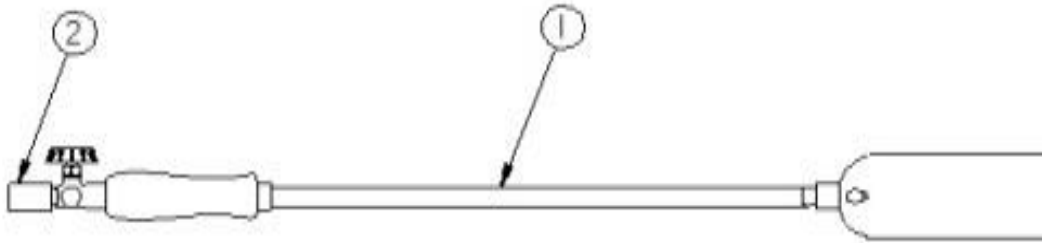


Figure 8.8 Propane Torch Assembly

Table 8-8 Propane Torch Assembly

FIG.	ITEM	PART NO.	DESCRIPTION	QTY
Figure 8.8	1	25015	HAND TORCH ASSEMBLY	1
	2	28176	COUPLING 1/4 NPT	1
	3	LP4-4FJ-4MP-144	HOSE, PROPANE	1

9.0 Tools and Accessories



Crafco Heavy Duty Squeegee with Aluminum Handle - 27199
27195 – Replacement Blade



Crafco Pour Pot with Wheels - 40200



Crafco High Velocity Heat Lance - 45650



Crafco Hand Held Pour Pot - 40201



Crafco Low Velocity Heat Lance - 32259



Crafco Hand Torch
W/ 20ft. Hose - 25012
W/ 12ft. Hose - 25016
W/ 50ft. Hose - 25021



©2021 Crafco, Inc.